

ON-VEHICLE INSPECTION

1. INSPECT CENTER AIRBAG SENSOR ASSEMBLY (VEHICLE NOT INVOLVED IN COLLISION)

- (a) Perform a diagnostic system check (See page [RS-36](#)).

2. INSPECT CENTER AIRBAG SENSOR ASSEMBLY (VEHICLE INVOLVED IN COLLISION AND AIRBAG HAS NOT DEPLOYED)

- (a) Perform a diagnostic system check (See page [RS-36](#)).

3. INSPECT CENTER AIRBAG SENSOR ASSEMBLY (VEHICLE INVOLVED IN COLLISION AND AIRBAG HAS DEPLOYED)

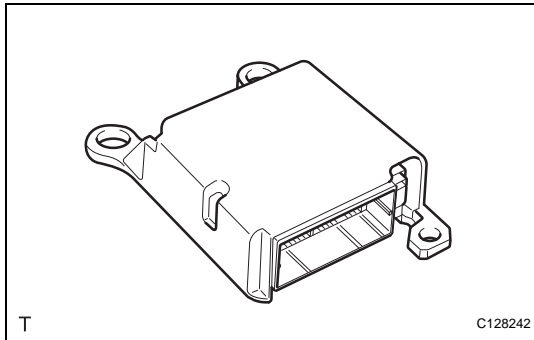
- (a) Replace the center airbag sensor assembly.

CAUTION:

For center airbag sensor assembly removal and installation procedure, see pages [RS-342](#) and [RS-343](#). Be sure to follow the correct removal and installation procedures.

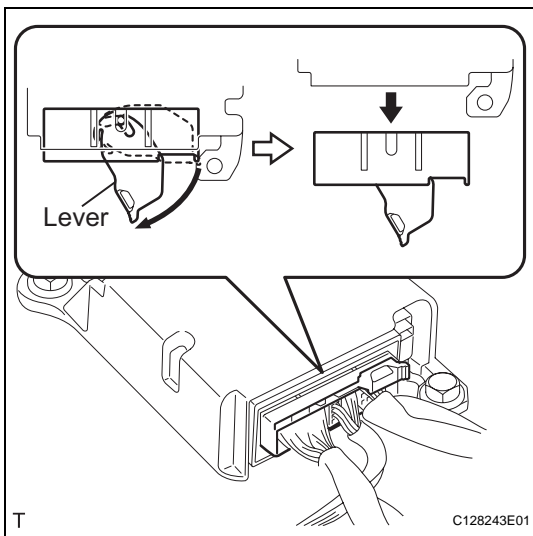
HINT:

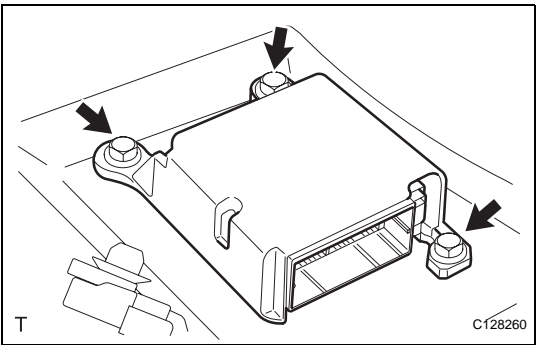
The center airbag sensor assembly should be replaced after any of the airbags has deployed, as it has been subjected to the impact.

**RS**

REMOVAL

1. **PRECAUTION**
CAUTION:
Read "PRECAUTION" thoroughly before servicing (See page [RS-1](#)).
2. **DISCONNECT CABLE FROM NEGATIVE BATTERY TERMINAL**
CAUTION:
Wait for at least 90 seconds after disconnecting the cable to prevent the airbag from working.
3. **REMOVE INSTRUMENT PANEL GARNISH LH** (See page [IP-10](#))
4. **REMOVE INSTRUMENT PANEL GARNISH RH** (See page [IP-10](#))
5. **REMOVE INTEGRATION CONTROL AND PANEL ASSEMBLY** (See page [IP-11](#))
6. **REMOVE SHIFT LEVER KNOB SUB-ASSEMBLY** (for Manual Transaxle) (See page [IP-11](#))
7. **REMOVE SHIFT LEVER KNOB SUB-ASSEMBLY** (for 4WD) (See page [IP-11](#))
8. **REMOVE PARKING BRAKE HOLE COVER SUB-ASSEMBLY** (See page [IP-11](#))
9. **REMOVE CONSOLE UPPER REAR PANEL SUB-ASSEMBLY** (See page [IP-12](#))
10. **REMOVE BOX BOTTOM MAT** (See page [IP-12](#))
11. **REMOVE FRONT CONSOLE BOX** (See page [IP-12](#))
12. **REMOVE CONSOLE UPPER PANEL NO.1 GARNISH** (See page [IP-12](#))
13. **REMOVE INSTRUMENT LOWER COVER SUB-ASSEMBLY** (See page [IP-13](#))
14. **REMOVE CENTER AIRBAG SENSOR ASSEMBLY**
 - (a) Disconnect the holder (with connectors) from the center airbag sensor assembly.





(b) Remove 3 bolts and the center airbag sensor assembly.